

ADVANCE

Easy Moving 

10

ASSEMBLY, USE AND MAINTENANCE MANUAL

Fuel storage tank

TEXSILO 200 - 250 - 300





FUEL STORAGE TANK

TEXSILO 200-250-300

INSTRUCTION MANUAL

- Type: Fuel storage tank
- Model: TEXSILO 200-250-300
- Revision 1.0.1

INDEX

1	INTRODUCTION	4
	1.1 Use of this manual	4
2	WARNINGS	4
3	INSTALLER'S RESPONSIBILITIES	5
4	CONSTRUCTION FEATURES	5
5	WEIGHTS AND MEASURES TABLE	5
6	CHECK OF PACKAGING CONTENT	6
7	ASSEMBLY EQUIPMENT	6
8	IDENTIFICATION PLATE	7
9	PROPER USE OF THE PRODUCT	7
10	INSTALLATION	8
	10.1 Place of installation	8
11	ASSEMBLY	8
12	START UP AND USE	15
13	MAINTENANCE AND END-OF-LIFE	16
	13.1 End-of-life	16
14	SAFETY REQUIREMENTS FOR FUEL STORAGE TANKS	17
15	WARRANTY	18
16	CERTIFICATION	19

1 INTRODUCTION

Dear customer,
the manufacturer would firstly like to thank you for the choice you made in buying our product, whose technical features will certainly meet Your needs.

Our products have been designed and manufactured in total compliance with the current regulations, by choosing the best materials to obtain durability and ease of use of the product.

We ask you, therefore, to read this manual carefully and completely, following strictly the instructions contained herein.

1.1 Use of this manual

The instruction manual is a document drawn up by the manufacturer and is part of the product: it integrates the specific rules of application and general rules for people, animals and objects safety. In the event that the product is resold, handed over, rented or sold to others, it must always be accompanied by this manual; therefore, it is recommended to use and keep it with care for the entire operative life of the product.

The main objective of this manual is to make known the proper and safe way to use the equipment.

No part of this manual may be reproduced, copied, or shared in any way, without the written permission of the manufacturer.

The manufacturer reserves the right to make improvements or modifications to this manual and to the equipment at any time, without obligation to advise third parties.

2 WARNINGS

- Do not use the machine for any improper use.
- Do not let children near the machine.
- This unit must not be used by people (including children) with reduced physical, sensory or mental capabilities, or with lack of experience and knowledge, unless they are supervised or instructed in the use of the unit by a person responsible for their safety.
- Use only original spare parts.
- In order to be able to operate easily on the tank, you must leave all around and above it a space of at least 50 cm which must be completely free from any obstacle.
- This tank can contain only wood pellet and olive pomace
- Before proceeding to the first filling of the tank check that it is properly installed with a spirit level and that all fixing screws are tight.
- After the first filling, tighten all screws again.
- It is forbidden to add other loads or weights to the tank in addition to the one of the fuel contained therein.
- Never use the tank structure as a carrier or fixing element for any other support or equipment.
- It is necessary to ventilate the environment where the tank is installed during loading.

The manufacturer declines any liability or guarantee, if the buyer or anyone makes changes or even minor modifications to the purchased product.

3 INSTALLER'S RESPONSIBILITIES

To ensure proper operation of the product, follow these guidelines:

- Only perform the activities described in these instructions
- Perform all activities in accordance with applicable regulations
- Explain to the user the operation and use of the product
- Explain to the user how to maintain the product
- Report to the user the potential dangers related to the use of the product

4 CONSTRUCTION FEATURES

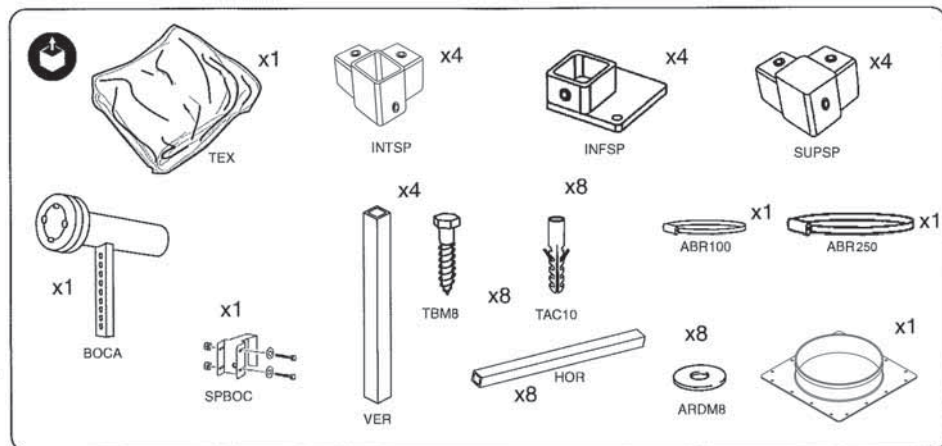
- Galvanized steel structure
- Dust-permeable and UVA-resistant fabric
- PVC protection against fuel impact
- Storz filling inlet
- Inlet for manual filling
- Inspection point

5 WEIGHTS AND MEASURES TABLE

Article		AP3450.34.20	AP3450.55.25	AP3450.76.30			
Model		Texsilo 200	Texsilo 250	Texsilo 300			
Weight	Kg	210	240	270			
Packaging measurement	Cm	198x42x75	230x42x75	280x42x75			
Measurements	Cm	200x200	250x250	300x300			
Heights	Cm	200	250	200	250		
Fuel bag volume	m ³	3,8	5,2	6,1	8,5	8,0	11,7
Maximum capacity	Ton	3,4	5,5	7,6			
Operating temperature min/max	C°	-10 ÷ +50					
Degree of humidity min/max	%	30 ÷ 95					

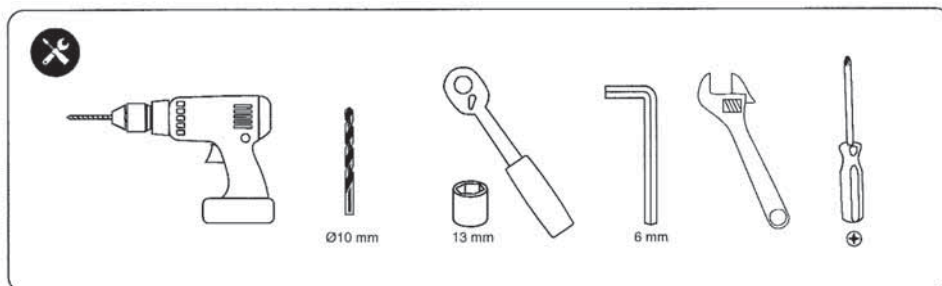
6 CHECK OF PACKAGING CONTENT

After opening the packaging, make an inventory of what you have received, which should consist of:



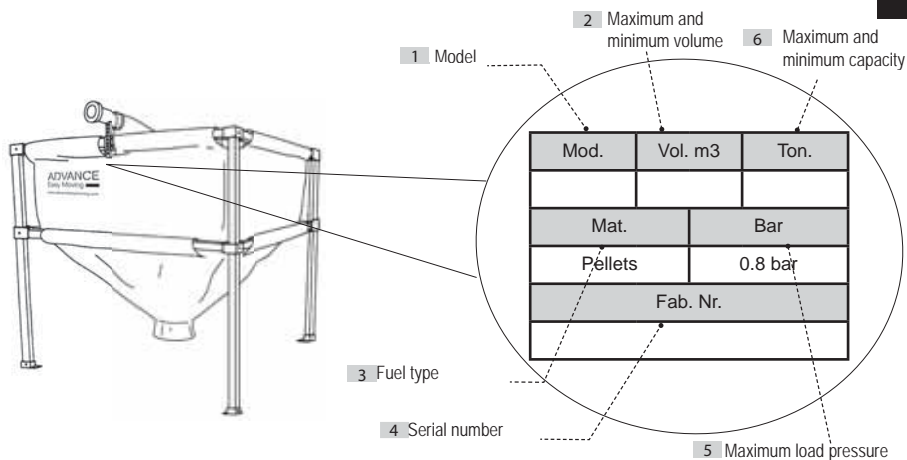
Check that the product corresponds to the one ordered and that no transportation damage is evident. Should this not be the case, please contact immediately the seller.

7 ASSEMBLY EQUIPMENT



8 IDENTIFICATION PLATE

Do not remove the identification plate from the product.



9 PROPER USE OF THE PRODUCT

These stock tanks for solid fuels are designed to be installed in a pneumatic transport system for pellets or other biomass fuels such as olive kernels and corn; they cannot contain fuels with excessive grain sizes and lengths greater than 40 mm or diameters greater than 15 mm.

For pellets, we recommend to use only ENplus A1-certified pellet.

It cannot store substances that are not biomass fuels or that have excessive or too fine dimensions, sharp or abrasive surfaces or that are easily compactable.

These tanks are predisposed to be loaded by pressure blowing of the fuel inside them, by tanker or also manually from the loading inlet on the frontal side.

Fuel extraction can be made from the lower outlet by one of the devices in our catalog.

10 INSTALLATION

It is necessary to leave a free space of adequate size all around the product, in order to permit any repair, maintenance or inspection operation.

Only qualified technical personnel are authorized to carry out installation, use and maintenance of the product. All operations must be performed adopting accident prevention regulations, in accordance with safety warnings (EN 6024-1).

In the event of damage, anomalies or defects of the product, do not install and contact your retailer.

10.1 Place of installation

Below are the main rules to follow for proper installation:

- It is the responsibility of the installer to check always the suitability and characteristics of the product installation site
- It is the responsibility of the installer to comply with fire prevention regulations
- It is the responsibility of the installer to ensure that the location and the placement of the tank within it ensures compliance with the applicable accident prevention regulations
- The tank must not be exposed to atmospheric agents and must not be installed in locations subject to: high humidity, possible flooding, high temperatures, presence of corrosive gases or dusts
- The room chosen for tank placement must be easily accessible by the pneumatic loading tube of the refueling tanker (contact the fuel supplier in advance)
- The floor on which the magazine is positioned must be tested to stand, at the base of each leg, one quarter of the total weight of the tank at full load (approximately 400 kg.).
- The positioning of the tank must guarantee around and above it a minimum free space of 50 cm and the absence of obstacles, even if temporary
- The magazine fabric should never be in contact with wet or rough walls or surfaces.

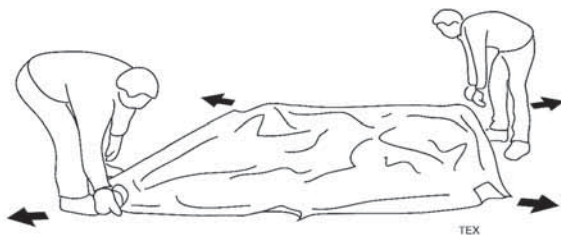
11 ASSEMBLY

Carefully clean the floor in the work area before starting the tank assembly phases.

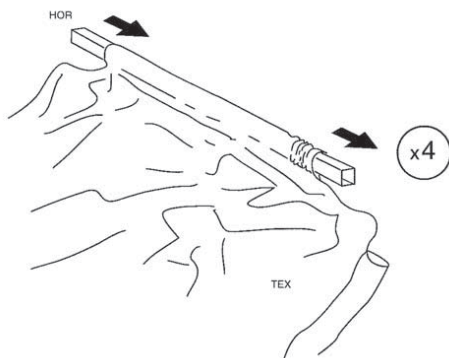
Consider that once the tank is fully assembled, it will be difficult to move, so it is advisable to carry out the mounting steps near the site where it will be installed.

Make sure that the ceiling of the room in which the tank is assembled and installed has a height that allows easy loading of the fuel from the upper inlet. It is advisable at least a height of 280 cm.

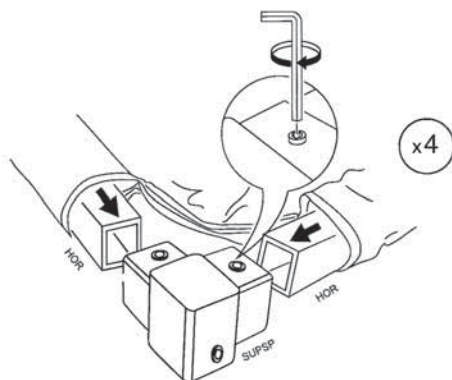
Spread the fabric with the discharge hopper facing downwards.



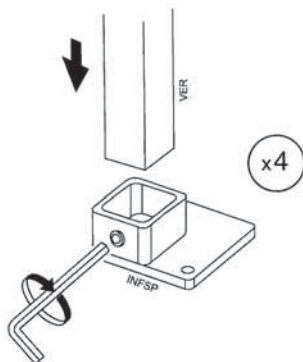
Insert the horizontal tubes (HOR) into the four upper fabric eyelets (TEX).



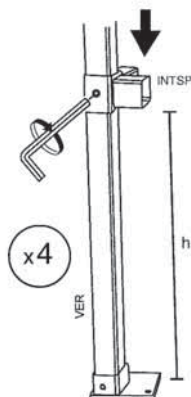
Insert the horizontal tubes (HOR) into the upper fittings (SUPSP) and tighten the screws.



Fix the bases (INFSP) to the vertical tubes (VER) and tighten the screws.

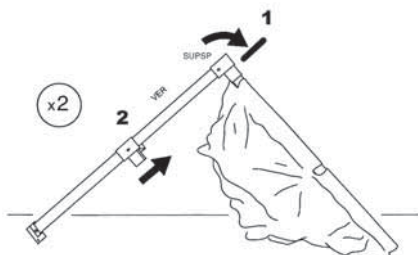


Insert the intermediate fittings (INTSP) into the vertical tubes (VER) fixing them to the height specified in the table and tighten the screws.

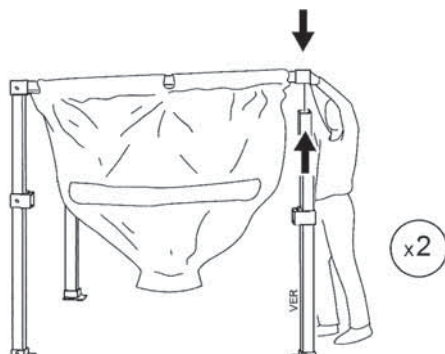


Model	h cm
Texsilo 200	121
Texsilo 250	130
Texsilo 300	138

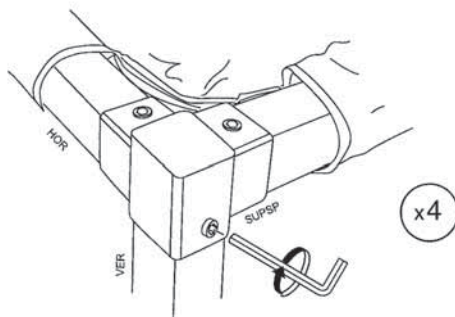
Raise the silo on one side and insert two vertical tubes (VER) into the upper fittings (SUPSP).



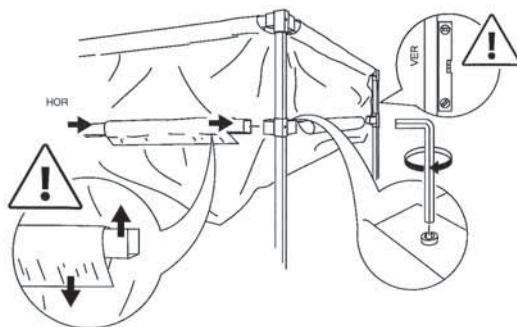
Raise the silo from the other side and insert the two remaining vertical tubes (VER).



Fix the upper fittings (SUPSP) to the vertical tubes (VER) and tighten the screws.

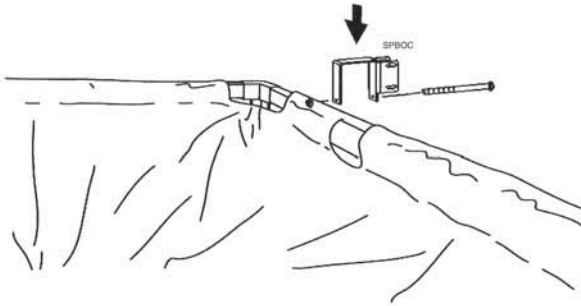


Insert the intermediate tubes (HOR) into the intermediate fittings (INTSP) and tighten the screws. Make sure that all the eyelets are equally stretched upwards.

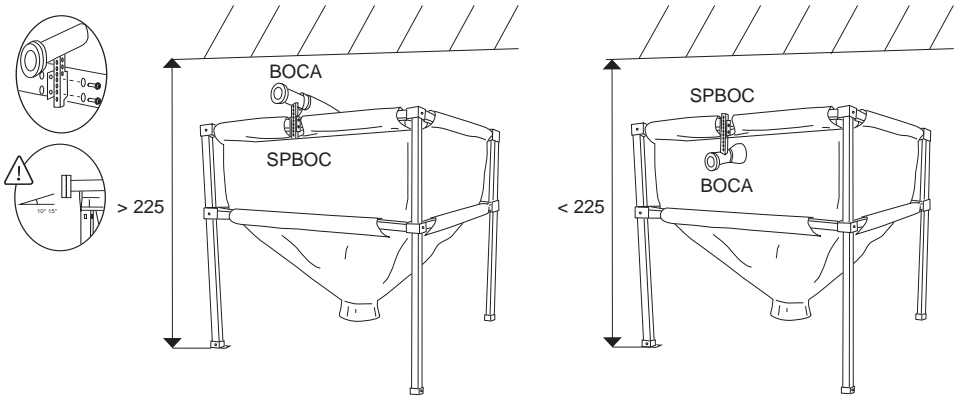


Fuel storage tank

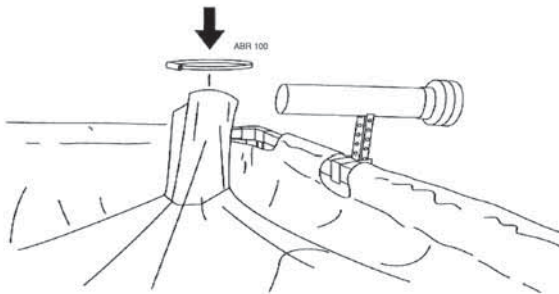
Place the fixing clamp (SPBOC) at the center of the upper tube where there is the eyelet on the fabric and secure it with the relative screw.



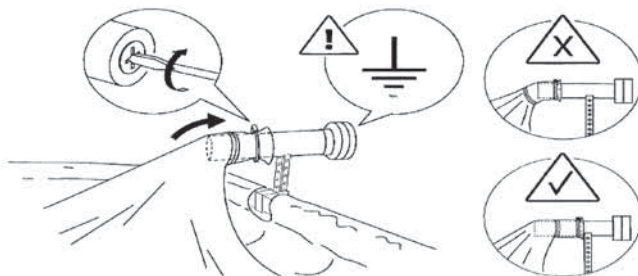
Fix the filling inlet (BOCA) with the storz attachment which must be inclined about $10/15^\circ$ downwards. If there is no space above the silo, rotate the fixing bracket (SPBOC) 180° and install the filling inlet using the lower inlet. In this case the capacity of the silo will be slightly reduced (see model specifications).



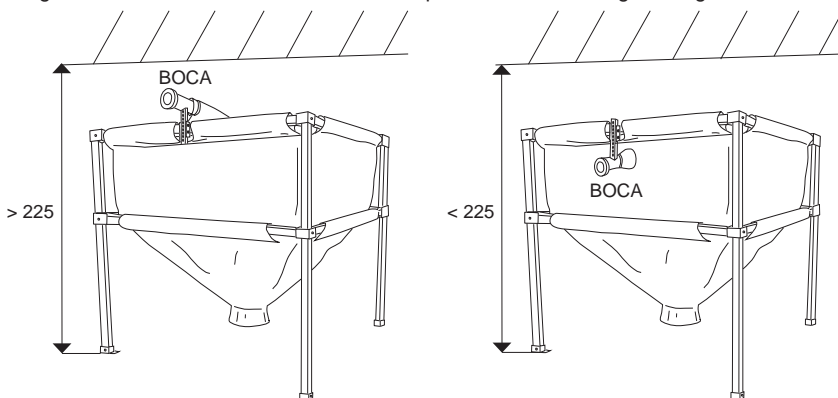
Insert the small clamp (ABR100) into the upper filling inlet of the silo.



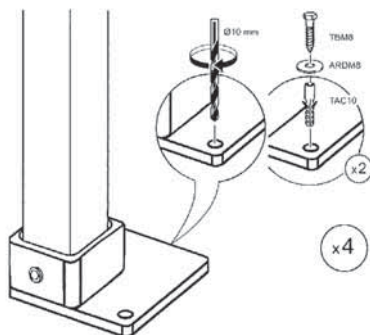
Insert the filling inlet until it exceeds the seam of the fabric inlet and then tighten the clamp. It is recommended an adequate grounding at the filling inlet.



The maximum capacity of the silo is achieved only if the available room height is at least 225 cm and the filling inlet is installed in the upper inlet. The 4" filling spout with storz connection has two positions available, one at the bottom for when the silo is installed in rooms with a height of less than 225 cm and one at the top for rooms with a higher height.

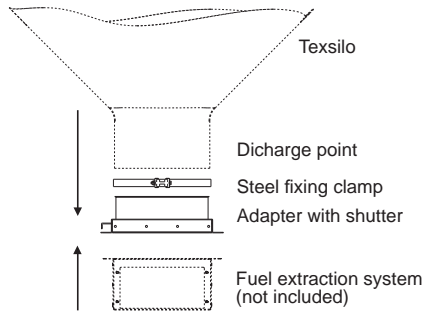


Once the final position of the silo has been decided, make sure that it is positioned with a spirit level and then fix the base (INFSP) to the floor with the dowels and screws provided.

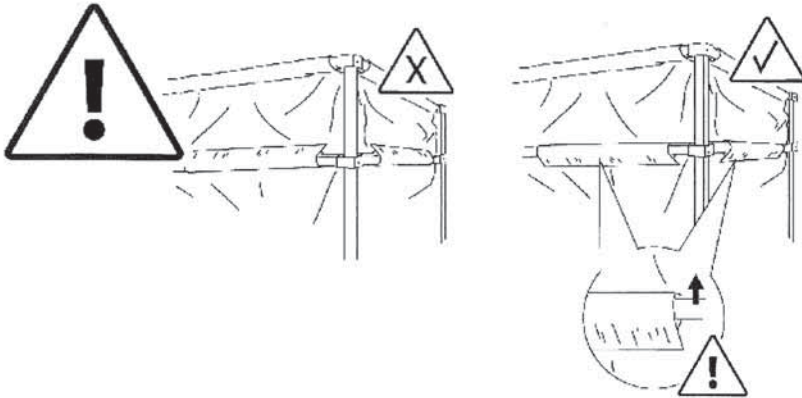


Fuel storage tank

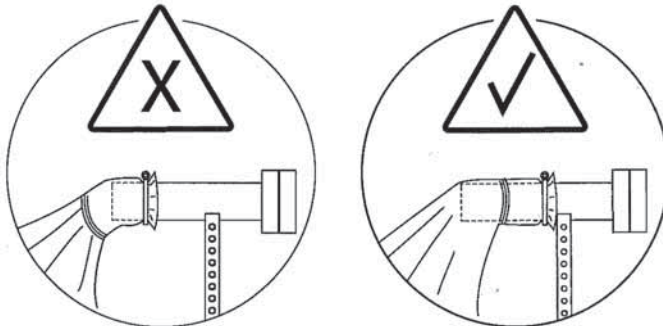
Insert the big clamp (ABR250) on the lower discharge point at the bottom of the silo. Before installing a fuel extraction case, insert the adapter in the extraction outlet. Then tighten the clamp until the connection is fixed.



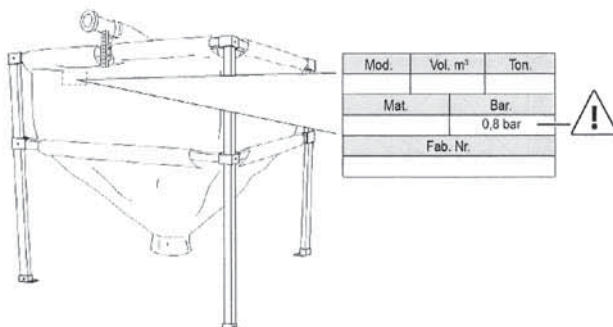
Before the filling, make sure that all lower eyelets of the fabric are equally well-stretched upwards for proper load distribution.



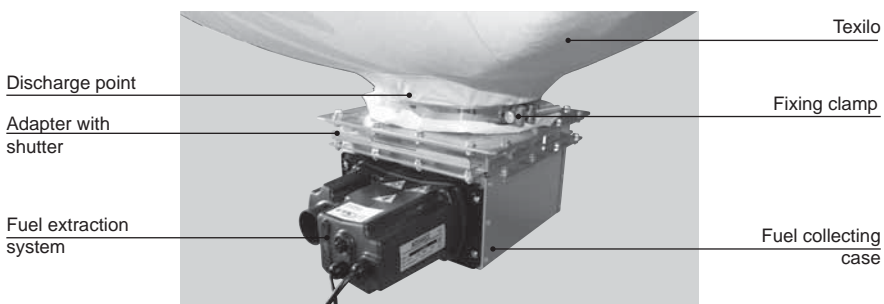
Before filling the tank with a tanker, check that the inlet tube is fully inserted and, in any case, beyond the seam of the fabric inlet.



Caution: do not exceed the maximum filling pressure written on the identification plate.



Proceed by setting fuel extraction accessories on the lower extraction point as shown in the following figure (example).



12 START UP AND USE

After assembly and connection, before filling the tank make sure that:

- there are no foreign bodies inside the fuel bag
- the metal structure is positioned using a spirit level and it is properly connected to a grounding cable
- all the screws and nuts that make up the metal frame are tightened
- the pillars are well fixed to the floor
- the fabric does not present cuts, unsewing or damages, even if minor
- the fixing clamp of the discharge point is well tight.

The shutter installed in the fuel outlet, has a dual function, in addition to preventing fuel spillage in the event of maintenance of the offtake system or the underlying pipes, it can also be partially opened and closed, thus acting as a partialiser.

This adjustment helps in some cases to optimise the amount of fuel in the offtake system and consequently helps to improve the fluidisation of the fuel in the pipes.

The flange at the base of the shutter is perfectly suited to the installation of the fuel withdrawal systems in our catalogue.

For the first time, just place a small amount of fuel in the storage tank (200/300 kg.) to test the stability and operation of the tank itself.

After reading also the manuals of all the components of the system, you can start using the tank.

13 MAINTENANCE AND END-OF-LIFE

Before carrying out any maintenance operation on the product, it is obligatory to aerate the premises in which it is installed for at least 15 minutes.

Any maintenance and repair operation must be carried out by experienced personnel and authorized by the manufacturer.

In the absence of a specific maintenance plan, a complete product inspection is recommended for each filling of the storage tank.

The checks to be carried out are:

- check fabric conditions
- check that the filling inlet is correctly fixed
- check the correct tightening of the extraction case fixing clamp
- eliminate any dust accumulation inside of the tank

If cuts, abrasions or defects are found in the fabric, it must be replaced.

It is also advisable to thoroughly clean the fuel storage tank at least annually, in order to avoid dust accumulation and presence of foreign bodies inside of it.

The presence of animals such as rats, mice, cats, dogs, birds, tarms and so on... and their behavior inside the storage room where the tank is installed can cause serious damages to tank fabric.

The tank has a steel structure that is resistant to external agents, but the plastic fabric can suffer serious damages with low visibility, which could, in the long run, undermine its stability with consequent danger for people passing near it.

13.1 End-of-life

The disposal of packaging, accessories and machine must be executed in accordance with applicable laws, ensuring the recycling of any of the core components.



14 SAFETY REQUIREMENTS FOR FUEL STORAGE TANKS

English

SAFETY REQUIREMENTS for pellet storage tanks with capacity up to 10 t



Keep the doors closed. Access is permitted only to authorized personnel under the supervision of a person outside



Do not smoke and approach flames or other sources of ignition.



Danger of death due to high concentrations of carbon monoxide (CO) and lack of oxygen.



In the 4 weeks after the fuel filling, enter only with a CO detector.



Aerate the storage room for at least 15 minutes before entering and keep the door open during your permanence.



Ensure an adequate and permanent aeration of the storage room through vent covers, openings or fans.



Wounding risk for moving systems



Turn off the boiler at least one hour before the pellet is delivered.



Proceed to the filling according to the requirements of the boiler manufacturer and the pellet supplier.



Protect pellets from humidity



In case of fire suspect keep the front door and any other opening of the storage room close and call the firemen.

15 WARRANTY

PRODUCT LIMITED WARRANTY CONDITIONS

The Manufacturer guarantees to the original purchaser the absence of defects in material and workmanship of the product for the period stated, from the date of purchase. Except as prohibited by applicable law, this warranty is non transferable and it is limited to the original purchaser. The present warranty gives the buyer specific legal rights and the possibility to claim rights which can vary under local laws.

Read all warnings and instructions before using the product purchased.

The entire liability of the manufacturer and your exclusive remedy for any breach of warranty will be at the discretion of the Manufacturer:

(1) To repair or replace the product, or (2) refund the purchase price, provided that the product has been returned to the point of purchase, or such other place as may be specified by the manufacturer, with a copy of the sales receipt or detailed and dated receipt. The shipping and handling are not free of charge, except in cases where this is prohibited by applicable law.

To repair and replace the product, the manufacturer may, at their own discretion, use new, refurbished or used parts in good working condition. Any replacement product will be warranted for the remaining time of the original warranty period, or for any period of time that complies with the provisions of the current law.

This warranty does not cover problems or damage resulting from (1) accident, abuse, misapplication, repair, alteration or unauthorized disassembly; (2) maintenance operation, use which is not in accordance with the product instructions or connection to an improper voltage supply; or (3) use of consumables and spare parts which are not supplied by the manufacturer or authorized service center.

Valid warranty claims are generally processed through the point of purchase of the product.

Please agree this detail with the retailer where you purchased the product.

The Warranty claims that cannot be processed through the point of purchase, as well as any other product related questions, should be addressed directly to the manufacturer. Addresses and contact information for customer support can be found at our internet address.

Except as stated by relevant laws in force, any implied warranty or condition of merchantability or suitability for a particular purpose relating to this product is limited to the duration of the Limited Warranty period for the specific product purchased.

Some jurisdictions do not allow limitations on the duration of implied warranties or the exclusion or limitation of incidental or consequential damages, so the above limitation may not apply to you. This warranty gives you specific legal rights and you may have other rights that vary from state to state, or from jurisdiction to jurisdiction.

Consumers have legal rights under applicable national legislation governing the sale of consumer products. Such rights are not affected by the warranties in this Limited Warranty.

No dealer, agent, or employee of the manufacturer is authorized to make any modification, extension or addition to this warranty.

16 CERTIFICATION

Declaration of absence of harmful substances

Declaration of absence of harmful substances

The manufacturer declares that their products and equipment are made with materials compliant with the current regulations regarding protection of health and the environment and does not contain substances classified as SVHC (Substance of Very High Concern) in accordance with Regulation EC 1907/2006 (REACH, or registration, evaluation, authorization and restriction of chemical substances).

Although in the working cycles of raw materials and our products such substances are not used, their presence in the size of p.p.m. (parts per million) cannot be excluded due to micro-pollution of raw materials.



F0920518.1

ADVANCE
Easy Moving 