

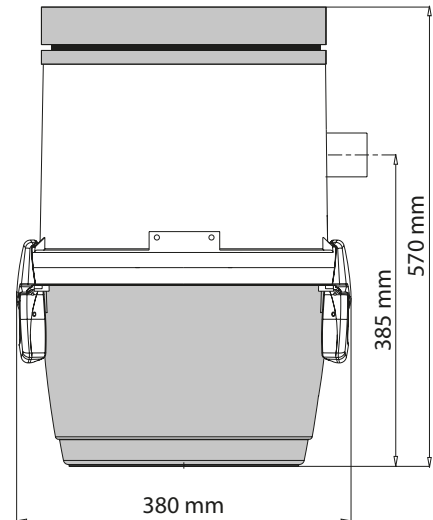
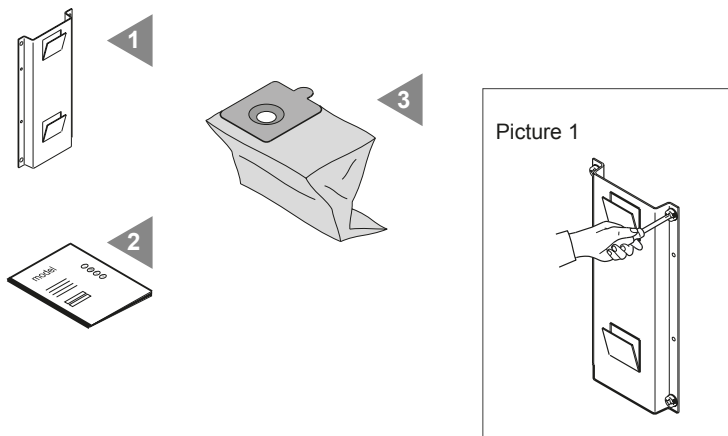
INSTRUCTIONS FOR TRAPDUST FILTERING SYSTEM

The package includes the accessory kit, composed by the following components:

- 1) N°1 metal bracket for wall fixing
- 2) N°1 installation, use and maintenance manual
- 3) N°3 dust-collecting bags

Verify that the products and their accessories correspond to what had been ordered and that they do not present any damage caused by the transport.

Otherwise, immediately inform the Retailer.



ASSEMBLY AND MAINTENANCE

The filtering system can be placed to the ground or on a shelf or firmly stuck to the wall through the steel fixing bracket given (picture 1).

It can be placed both in open or enclosed spaces, it must not be exposed directly to the rain, it must not be used for filtering very corrosive or incandescent dust.

If possible, the filtering system needs to be connected to the system through a tract of flexible hose Ø 50 mm.

To replace the collecting bag (picture 2):

- A- Unhook the handles and remove the bucket
- B- Detach the used bag from the support hose
- C- Place now the new bag inserting it all the way in the support hose
- D- Reposition the bucket hooking the handles

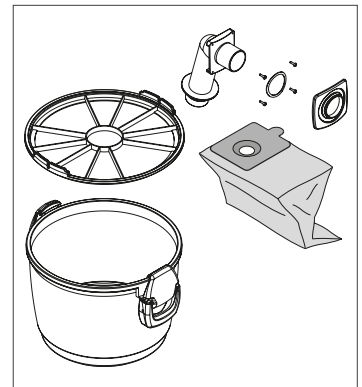
Verify the integrity of the dust-collecting bag and the amount of dust in it periodically, replacing the bag in case it presents cuts or an amount of dust bigger than 50% of its volume.

The used collecting-dust bag must be disposed of according to the regulations of dust collection locally in force.

Picture 2



Components of the filtering part



Examples of use

